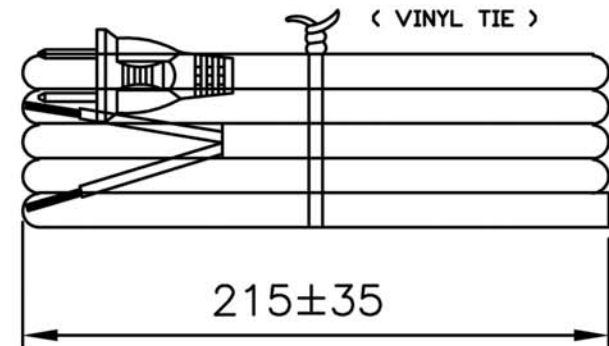


NOTES:

1. PLUG NO: COX-18
 MARK: COXOC COX-18
 APPROVED: E147517
 (BLADE MATERIAL: BARSS PLATING NICKEL POLARIZED)
2. POWER WIRE:
 C-UL (UL) SPT-2 E148006 VW-1 75°C 18AWG×2C COXOC
 JACKET COLOR: BLACK
3. THE END TO BE RIVED OFF 38mm.
4. JACKET TO BE STRIPPED BACK 15.9mm TO EXPOSE STRAND COPPER AS SHOWN.



NOTES:

- AK500-OE-13-6F-R (1.83 M)
- AK500-OE-13-8F-R (2.44 M)
- AK500-OE-13-NP-6F-R (1.83 M, Non-Polarized)
- AK500-OE-13-NP-8F-R (2.44 M, Non-Polarized)



ITEM NO AK500-OE-13-XX-R
 AK500-OE-13-NP-XX-R

TITLE Power Cord, SPT-2.0 60C, Unshielded,
 1.08AWG 2.0C, UL/CSA

ASSMANN
 Electronics, Inc.

1840 W. Drake Drive, Suite 101 - Tempe, AZ 85283

Toll Free: 1-877-277-6266 Email: info@usa-assmann.com

THIS DRAWING IS UNPUBLISHED
 © Copyright 2008 by Assmann Electronic Components
 All International Rights Reserved